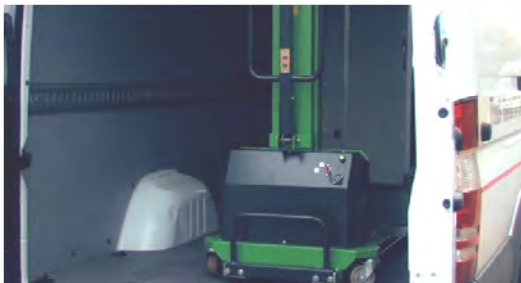


INNOLIFT Self Loader

The Innolift self loader is a Pallet & Freight loader that is designed for vans and other commercial vehicles.

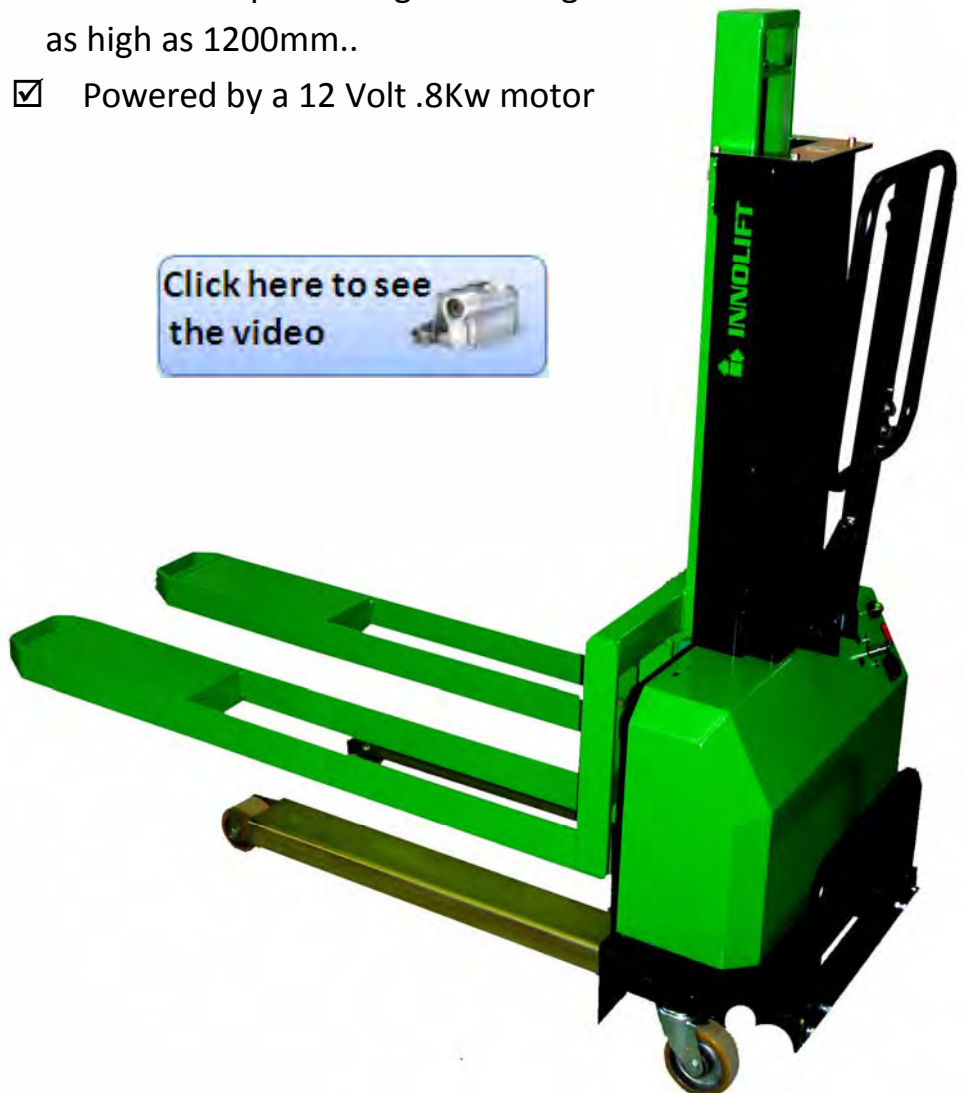
The Innolift is the only Manual or Electric lift loader that lifts a wide range of goods to a range of heights and then lifts itself into and out of the delivery vehicle.

Designed for use with open bottom pallets, skid and crates, Innolift is ideal for moving Pallets, Medical equipment, Office Equipment, coffee machines and White goods to name a few.



- ☑ Available in 5 different models, 1 manual Lift and 4 electric Lift
- ☑ Standard Colors are Green with Black...
Five other colours available to order (POA)
- ☑ Lifts loads up to 500kg and 600kg
as high as 1200mm..
- ☑ Powered by a 12 Volt .8Kw motor

[Click here to see the video](#)



All prices/specifications subject to change without notice.

Add 10%GST Australia only

COLOUR OPTIONS ... Standard Colour - Green



Innolift - Silver



Innolift - Blue



Innolift - Orange



Innolift - Red



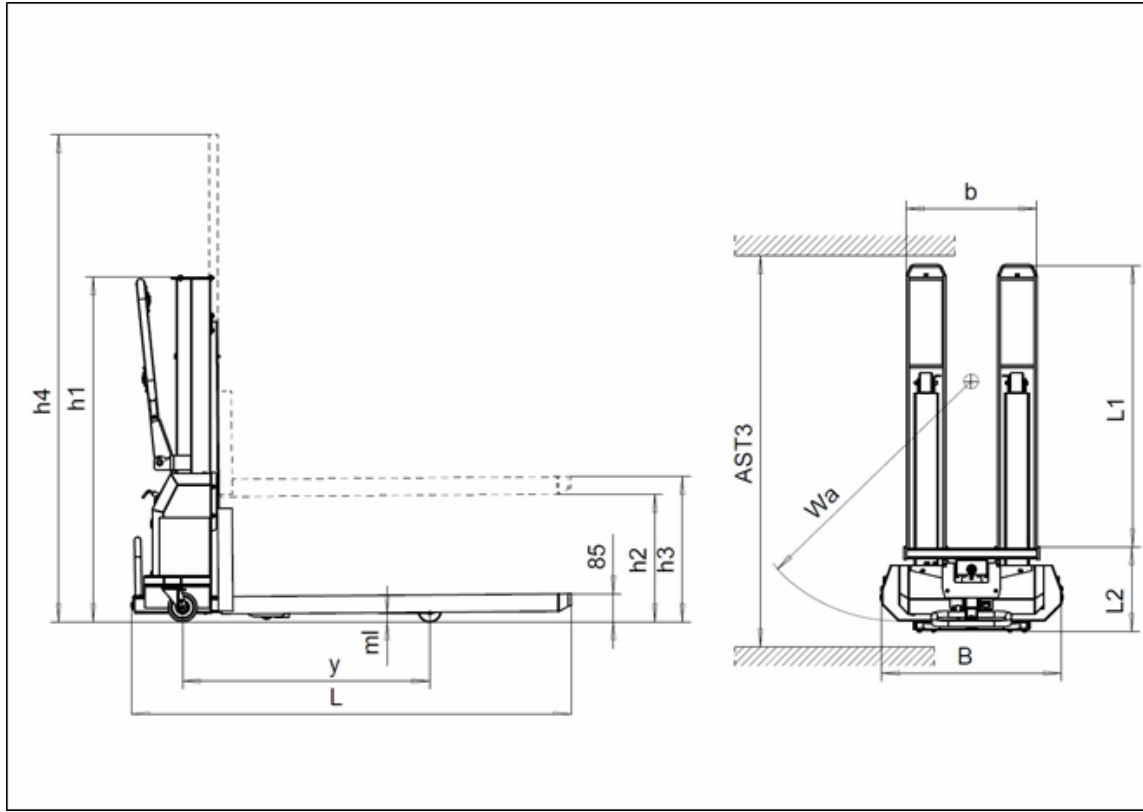
Innolift - Yellow

Part Number	Description	Trade Price
# IV300/700	Manual, Capacity 300kg, Lifting Height 700mm	
# ISJ250/800	Electrical, Capacity 250kg, Lifting Height 800mm	
# IS600/700	Electrical, Capacity 600kg, Lifting Height 700mm	Please email to sales@innoliftau.com.au for current pricing
# IM600/800	Electrical, Capacity 600kg, Lifting Height 800mm	
# IL600/1000	Electrical, Capacity 600kg, Lifting Height 1000mm	
# IXL500/1250	Electrical, Capacity 500kg, Lifting Height 1250mm	
# IXXL400/1400	Electrical, Capacity 400kg, Lifting Height 1400mm	
Options:		
# 21226	Cable system for charging while driving	
# 61974	Rear plate	
# 20018	Smart Charger 12V/10A, Soneil with machine	Please email to sales@innoliftau.com.au for current pricing
# 20251	Closed AGM Power Battery 12V 34Ah with machine	
# 21228	Cable system for charging while driving with CTEK	
# 22110	PSE Smart Charger 12V/7A with battery indicator, CTEK	
# 20208	Bluetooth (4.0) wireless battery indicator, CTEK	



All prices/specifications subject to change without notice.

Add 10%GST Australia only



Technical Data Sheet INNOLIFT		Standard Models				Special	Special	Special
		IS250.800	IM600.800	IL600.1000	IXL500.1250	IV300.700	IS600.700	IXXL400.1400
Power		Battery	Battery	Battery	Battery	Manual	Battery	Battery
Capacity	kg	250	600	600	500	300	600	400
Load centre	mm	600	600	600	600	600	600	600
Lifting height	mm h3	800	800	1000	1250	700	700	1400
Loading height	mm h2	700	700	900	1150	600	600	1300
Own weight	kg	175	180	185	190	90	176	195
Overall lowered height	mm h1	1080	1200	1400	1700	1080	1080	1850
Overall extended height	mm h4	1700	1900	2300	2800	1080	1700	2950
Wheel material		Polyurthan	Polyurthan	Polyurthan	Polyurethan	Polyurthan	Polyurthan	Polyurethan
Wheel dimensions, front	mm	75 x 60	75 x 60	75 x 60	75 x 60	75 x 32	75 x 60	75 x 60
Wheel dimensions, rear	mm	100 x 40	100 x 40	100 x 40	100 x 40	100 x 40	100 x 40	100 x 40
Total length	mm L	1520	1520	1520	1520	1480	1520	1520
Length without forks	mm L2	350	350	350	350	330	350	350
Chassis width	mm B	760	760	760	760	700	760	760
Wheel base	mm y	980	980	980	980	850	980	980
Fork dimensions	mm	165 x 60	165 x 60	165 x 60	165 x 60	150 x 50	165 x 60	165 x 60
Fork length	mm L1	1190	1190	1190	1190	1150	1190	1190
Fork width	mm b	540	540	540	540	500	540	540
Ground clearance	mm ml	0 - 30	0 - 30	0 - 30	0 - 30	0 - 30	0 - 30	0 - 30
Working aisle AST3	mm	1790	1790	1790	1790	1750	1790	1790
Turning radius	mm Wa	1090	1090	1090	1090	980	1090	1090
Parking brake		Mechanical	Mechanical	Mechanical	Mechanical	Mechanical	Mechanical	Mechanical
Lifting motor	kW	0.8	0.8	0.8	0.8		0.8	0.8
Battery capacity	V / Ah	12 / 44	12 / 44	12 / 44	12 / 44		12 / 44	12 / 44
Charger	V / A	12 / 10	12 / 10	12 / 10	12 / 10		12 / 10	12 / 10